

OAL	355		
CL	280	Mark 1	TOSHIBA France + lot
WL	200	Mark 2	JHC400V3000W280BH

Wire: SILIFLON UL 1727 AWG 18 600V 250°C (blanc)
OMERIN or equivalent

Terminal: Fork \varnothing 5 mm AMP 180 396-2 or equivalent

Specifications:

Nominal voltage: 400 V

Wattage: 3000 W \pm 5%

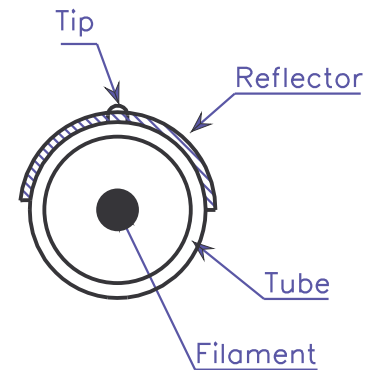
Average life: 5000 Hrs (with AC power supply, 50 or 60 Hz,
continuously at room temperature and free from vibration)

Lighting position: Horizontal \pm 4°

Tc 2700 K

Strength test:

- Wire harness shall withstand tensile load of 5 Kgf in lamp axis direction.
- Insulator base shall withstand tensile load of 5 Kgf in lamp axis direction.



Type: InfraRed Halogen Lamp Heater JHC 400V 3000W 280 BH		Modif.:	1	
		Date:	07-12-05	
Date: 11-08-03	TOSHIBA LIGHTING PRODUCTS (France) S.A.	Version EM-344	Comments modif WL temperature	