

**TOSHIBA LIGHTING PRODUCTS (FRANCE) S.A**

<p>1. Operating condition</p> <p>1-1. Temperature at sealing part: Temperature at both sealing ends (in the quartz glass above the molybdenum foil center) shall be measured with thermo-couple and must not exceed 350°C (to avoid a loss of electrical conductivity caused by molybdenum foil oxidation)</p> <p>1-2. Temperature at glass tube surface: 250 to 900°C</p> <p>1-3. Operating atmosphere: Under normal atmosphere pressure, without corrosive or explosive or inflammable gas.</p> <p>2. Storage environment</p> <p>2-1. Temperature range: -20°C MIN. 70°C MAX.</p> <p>2-2. Humidity range: 10%RH MIN 90%RHMAX without condensation.</p> <p>2-3. Under normal atmosphere pressure, without corrosive gas.</p>	<p>3. Warrantee</p> <p>3-1. Warrantee period: One year after the invoiced date to the customer.</p> <p>3-2. Condition of warrantee: In case of infrared heater lamp(s) with defect (defined as none-conformity to the specifications) is returned from the customer, during the warrantee period, TOSHIBA Lighting products (France) S.A., will compensate with re-delivering good infrared heater lamp(s). There is no obligation if the problem happened due to miss-design of appliances including safety design, miss-usage or miss handling of the infrared heater lamp(s). In case doubts rise up to judge none-conformity to the specifications, both parties shall cooperate together to solve problems.</p>
-------------------------------------------------------------------------------------------------------------------------------------------------------------------------------------------------------------------------------------------------------------------------------------------------------------------------------------------------------------------------------------------------------------------------------------------------------------------------------------------------------------------------------------------------------------------------------------------------------------------------------------------------------------------------------------------------------------------------------	----------------------------------------------------------------------------------------------------------------------------------------------------------------------------------------------------------------------------------------------------------------------------------------------------------------------------------------------------------------------------------------------------------------------------------------------------------------------------------------------------------------------------------------------------------------------------------------------------------------------------------------------------------------------------------------------------------------------

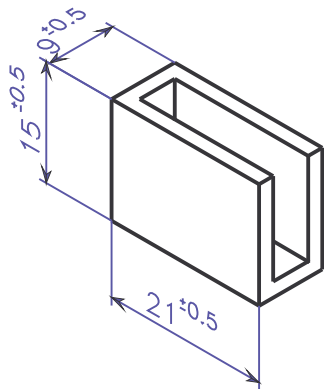
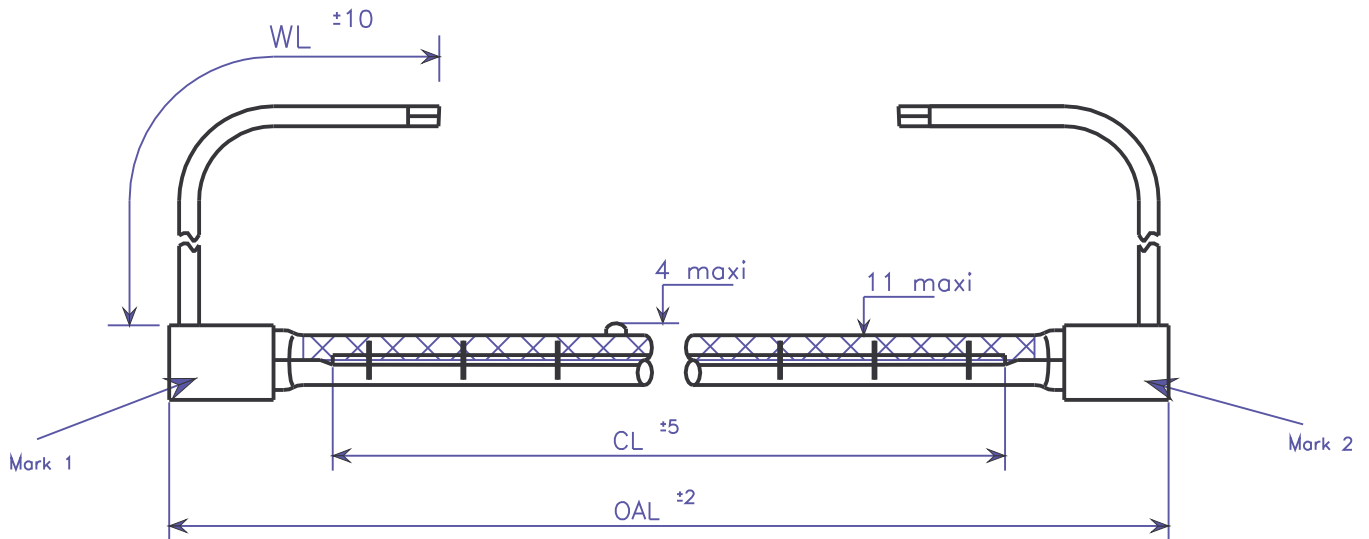
Batch code information:

Batch code example

**A 0 6**

Month	Code
Jan	A
Feb	B
Mar	C
Apr	D
May	E
June	G
July	H
Aug	K
Sept	L
Oct	R
Nov	S
Dec	U

Year	Code
2006	06
2007	07
2008	08
2009	09
2010	10
2011	11
2012	12
2013	13
2014	14
2015	15
2016	16
Etc..	



OAL	378		
CL	315	Mark 1	TOSHIBA France + lot
WL	230	Mark 2	JHC400V2500W315BH

Wire: SILIFLON UL 1727 AWG 18 600V 250°C (white)  
OMERIN or equivalent

Terminal: Splice Grote Hartmann 25863411131 or equivalent

Specifications:

Nominal voltage: 400 V

Wattage: 2500 W ± 5%

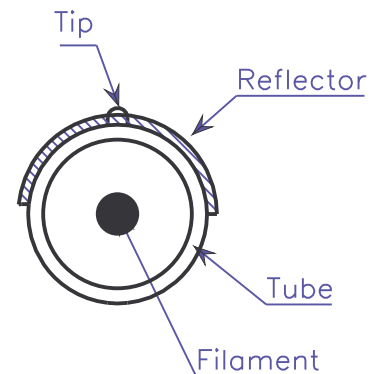
Average life: 5000 Hrs (with AC power supply, 50 or 60 Hz,  
continuously at room temperature and free from vibration)

Lighting position: Horizontal ± 4°

Tc 2500 K

Strength test:

- Wire harness shall withstand tensile load of 5 Kgf in lamp axis direction.
- Insulator base shall withstand tensile load of 5 Kgf in lamp axis direction.



Type: InfraRed Halogen Lamp Heater  
JHC 400V 2500W 315 BH

Modif.:

1

Date:

08-03-05

Date:

10-12-02

TOSHIBA LIGHTING PRODUCTS  
(France) S.A.

Version  
EM-180

Comments

Modif  
cable  
type  
(t°)