

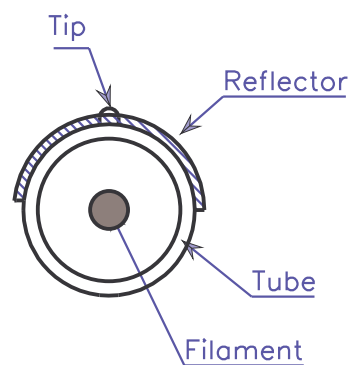
| | | | |
|-----|-------|---|------------------------------|
| OAL | 787.5 | | |
| CL | 700 | G | TOSHIBA France mark + lot |
| WL | 500 | H | JHC235V3000W700BfH mark |

Wire: SILIFLON UL 1727 AWG 18 250°C Color: WHITE
OMERIN or equivalent

Terminal: Splice Grote Hartmann
25863411131 or equivalent

Specifications:

Nominal voltage: 235 V
Wattage: 3000 W ± 5%
Average life: 5000 Hrs
Lighting position: Horizontal ±4°
Tc: 2300°K



| | | | | |
|---|--|-------------------|-------------------------------------|--|
| Type: InfraRed Halogen Heater Lamp JHC 235V 3000W 700 BfH2 | | Modif.: | 1 | |
| | | Date: | 30/05/05 | |
| Date: 21/01/04 | TOSHIBA LIGHTING PRODUCTS (France) S.A. | Version RZ-201 | Comments modif cable 250°C | |