

OAL	353		
CL	280	Mark 1	TOSHIBA France + lot
WL	210	Mark 2	JHC235V2500W280BFH3

Wire: SILIFLON UL 1727 AWG 18 600V 250°C (blanc)  
OMERIN or equivalent

Terminal: Fork Ø5 mm AMP 180 396-2 or equivalent

Specifications:

Nominal voltage: 235 V

Wattage: 2500 W ± 5%

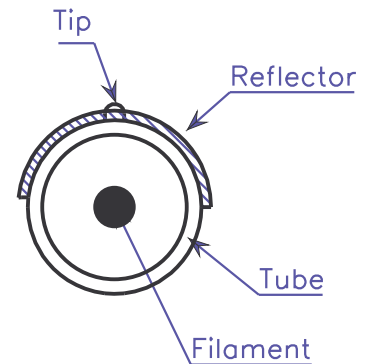
Average life: 5000 Hrs (with AC power supply, 50 or 60 Hz,  
continuously at room temperature and free from vibration)

Lighting position: Horizontal ± 4°

Tc 2700 K

Strength test:

- Wire harness shall withstand tensile load of 5 Kgf in lamp axis direction.



Type: InfraRed Halogen Heater Lamp  
JHC 235V 2500W 280 BfH3

Modif.: 1  
Date: 09/12/05

Date:  
13-07-05

TOSHIBA LIGHTING PRODUCTS  
(France) S.A.

Version  
RZ-267

Comments  
OAL  
modif  
from  
355 to  
353