

OAL	353		
CL	280	Mark 1	TOSHIBA France + lot
WL	210	Mark 2	JHC235V2000W280BfH4

Wire: SILIFLON UL 1727 AWG 18 600V 250°C (blanc)
OMERIN or equivalent

Terminal: Fork \varnothing 5 mm AMP 180 396-2 or equivalent

Specifications:

Nominal voltage: 235 V

Wattage: 2000 W \pm 5%

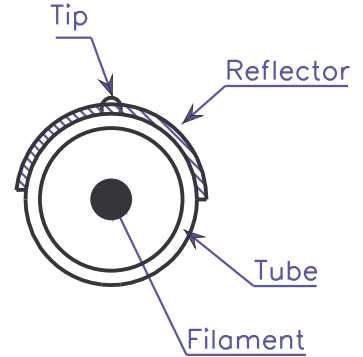
Average life: 5000 Hrs (with AC power supply, 50 or 60 Hz,
continuously at room temperature and free from vibration)

Lighting position: Horizontal \pm 4°

Tc 2700 K

Strength test:

- Wire harness shall withstand tensile load of 5 Kgf in lamp axis direction.



Type: InfraRed Halogen Heater Lamp
JHC 235V 2000W 280 BfH4

Modif.:	1	2	3
Date:	26/11/03	13/07/05	09/12/05

Date: 24-11-03	TOSHIBA LIGHTING PRODUCTS (France) S.A.	Version EM-479	Comments	Wire length modif	Wire t° modif	OAL modif from 355 to 353
-------------------	--	-------------------	----------	----------------------	---------------------	---------------------------------------