

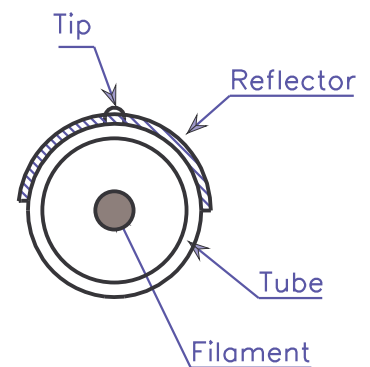
OAL	353		
CL	280	G	TOSHIBA France mark + lot
WL	230	H	JHC235V2000W280BFH mark

Wire: SILIFLON UL 1727 AWG 18 250°C Color: WHITE  
OMERIN or equivalent

Terminal: Splice Grote Hartmann  
25863411131 or equivalent

Specifications:

Nominal voltage: 235 V  
Wattage: 2000 W ± 5%  
Average life: 5000 Hrs  
Lighting position: Horizontal ± 4°



Type: InfraRed Halogen Heater Lamp JHC 235V 2000W 280 BfH		Modif.:	1	
		Date:	13/07/05	
Date: 08-07-03	TOSHIBA LIGHTING PRODUCTS (France) S.A.	Version EM-318	Comments Wire t° modif	