

| | | | |
|-----|-----|--------|-------------------------|
| OAL | 225 | | |
| CL | 155 | Mark 1 | TOSHIBA France + lot |
| WL | 150 | Mark 2 | JHC235V1200W155BfH1 |

Wire: SILIFLON UL 1727 AWG 18 600V 250°C (blanc)
OMERIN or equivalent

Terminal: Fork \varnothing 5 mm AMP 180 396-2 or equivalent

Specifications:

Nominal voltage: 235 V

Wattage: 1200 W \pm 5%

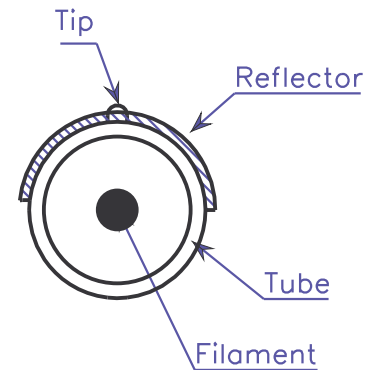
Average life: 5000 Hrs (with AC power supply, 50 or 60 Hz,
continuously at room temperature and free from vibration)

Lighting position: Horizontal \pm 4°

Tc 2700 K

Strength test:

- Wire harness shall withstand tensile load of 5 Kgf in lamp axis direction.



Type: InfraRed Halogen Heater Lamp
JHC 235V 1200W 155 BfH1

Modif.: 1

Date: 08-12-05

Date:
02-09-03

TOSHIBA LIGHTING PRODUCTS
(France) S.A.

Version
EM-354

Comments
modif
WL
temperature