

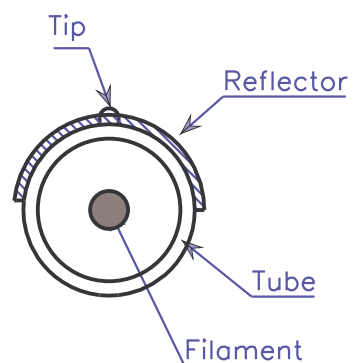
OAL	650		
CL	500	G	TOSHIBA France mark + lot
WL	500	H	JHC230V2000W500BfH mark

Wire: SILIFLON UL 1727 AWG 18 250°C Color: WHITE
OMERIN or equivalent

Terminal: Splice Grote Hartmann
25863411131 or equivalent

Specifications:

Nominal voltage: 230 V
Wattage: 2000 W ± 5%
Average life: 5000 Hrs
Lighting position: Horizontal ±4°
Tc: 2400°K



Type: InfraRed Halogen Heater Lamp JHC 230V 2000W 500 BfH		Modif.:	1	
		Date:	30/05/05	
Date: 21/01/04	TOSHIBA LIGHTING PRODUCTS (France) S.A.	Version RZ-200	Comments modif cable 250°C	