

Technical Information

No. FO 5813

Edition: 07/13 - subject to change

Supersedes: n/a

Status: valid

Mercury Discharge Lamp

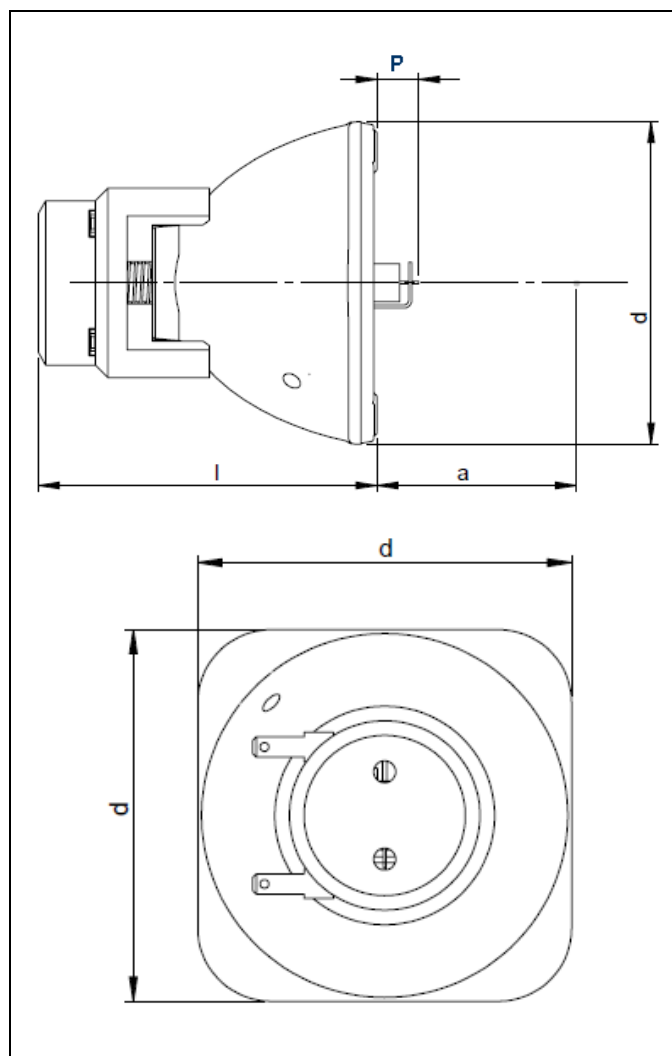
SIRIUS HRI® 190W+

■ Product description

The OSRAM SIRIUS HRI® 190W+ with its focusing dichroic reflector is highly efficient and optimized for light guide applications. The distance between the reflector's alignment plane and the second focal point (working distance) is 34.5mm. Main applications of the SIRIUS HRI® 190W+ are moving head projectors.

■ Technical data

Order reference		SIRIUS HRI® 190W+
Rated lamp wattage	W	190
Rated lamp voltage	V	70
Rated lamp current	A	2.7
Ignition voltage (cold/hot)	kV _s	2.5
Color temperature	K	8,200
Electrode gap	mm	0.8
Lamp length l	mm	max. 54.5
Burner excess P	mm	max. 7.5
Reflector diameter d	mm	51
Working distance a	mm	34.5
Average service life	h	3,000
Initial luminous flux (5x3.8mm aperture)	lm	8,100
CRI		73



■ Lamp operation

Burning position	any
Electrical connection	flat pin connectors
Cooling	forced cooling required (refer to system specification)
Lamp driver	For best luminous efficiency and maintenance results, the SIRIUS HRI® 190W+ should be operated only with PT-SIRIUS 190W+ lamp driver.