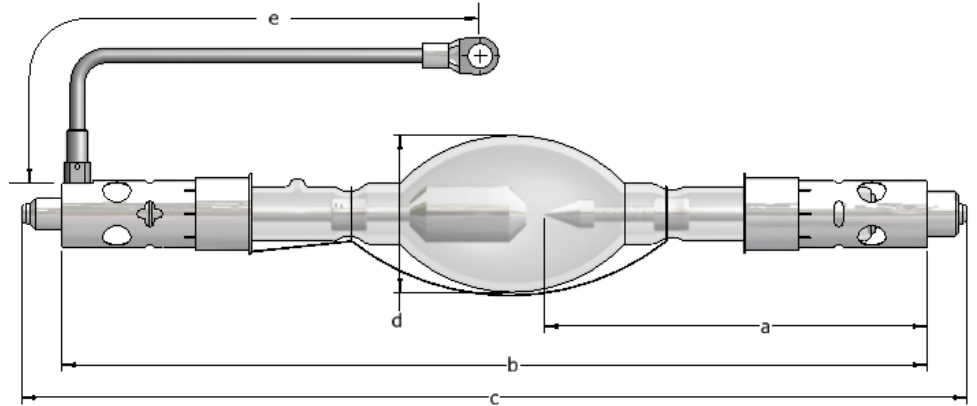


XDC-7000N

Digital Cinema Xenon Lamp



APPLICATIONS

Barco NC2500S, NC3200S, NC3240S

TECHNICAL SPECIFICATIONS

Rated Power	W	6500
Rated Current	A	170
Operating Current Range	A	85-180
Rated Voltage	V	41 (+/-3)
Distance a	mm	171.5
Length b	mm	387
Length c (max)	mm	423
Cold arc gap	mm	7.75
Bulb Diameter d	mm	70
Anode (+) Base Diameter	mm	30
Anode Pin Diameter	mm	13.9
Cathode (-) Base Diameter	mm	30
Cathode Pin Diameter	mm	20
Cable Length e	mm	220
Horizontal Operating Position	deg	±15
Min. Cooling Air Flow Velocity	m/sec	7
Base Surface Temperature (max)	deg C	200

WARRANTY: 300 hours (100%)

