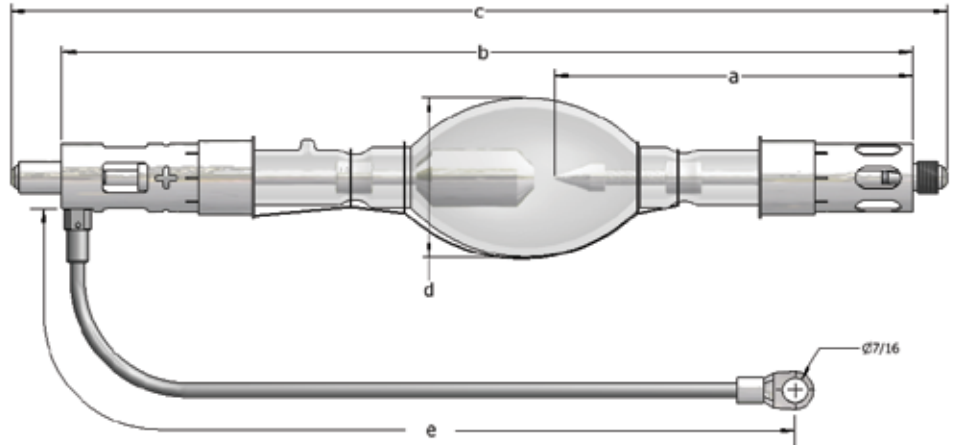


XDC-6500TAL

Digital Cinema Xenon Lamp



APPLICATIONS

Barco Kinoton/Cinemeccanica digital cinema projectors

TECHNICAL SPECIFICATIONS

Rated Power	W	6500
Rated Current	A	162
Operating Current Range	A	105-175
Rated Voltage	V	42 (+/-2)
Distance a	mm	158
Length b	mm	375
Length c (max)	mm	413
Cold arc gap	mm	8.63
Bulb Diameter d	mm	70
Anode (+) Base Diameter	mm	30
Anode Pin Diameter	mm	14
Cathode (-) Base Diameter	mm	30
Cathode Pin Diameter	mm	M14 x 1.5
Cable Length e	mm	400
Horizontal Operating Position	deg	± 5
Min. Cooling Air Flow Velocity	m/sec	6
Base Surface Temperature (max)	deg C	230

WARRANTY: 700 hours (100%)



Lighting Technologies International LLC
13700 Live Oak Avenue, Baldwin Park, CA,
USA 91706
www.ltilighting.com

Rev. 6 / 2019
Subject to Change