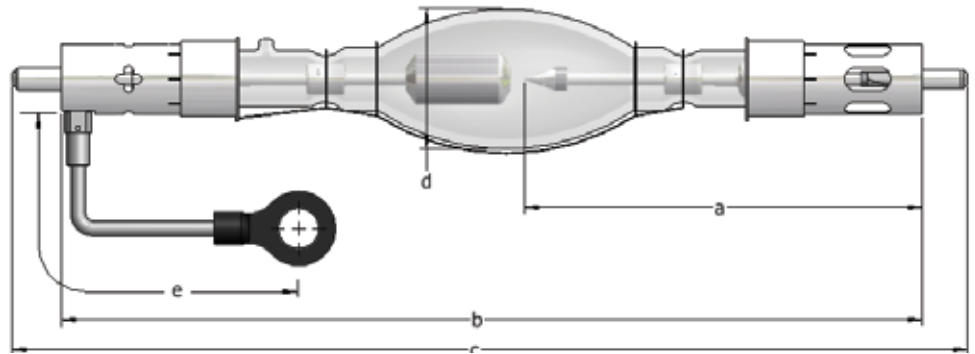


XDC-4500B

Digital Cinema Xenon Lamp



APPLICATIONS

Barco DP2K-32B, DP4K-32B, DP-90, 100, 3000

TECHNICAL SPECIFICATIONS

Rated Power	W	4500
Rated Current	A	145
Operating Current Range	A	80-150
Rated Voltage	V	30 (+/-3)
Distance a	mm	171
Length b	mm	370
Length c (max)	mm	410
Cold arc gap	mm	6.0
Bulb Diameter d	mm	60
Anode (+) Base Diameter	mm	30
Anode Pin Diameter	mm	9.4
Cathode (-) Base Diameter	mm	30
Cathode Pin Diameter	mm	7.9
Cable Length e	mm	153
Horizontal Operating Position	deg	±15
Min. Cooling Air Flow Velocity	m/sec	6
Base Surface Temperature (max)	deg C	230

WARRANTY: 1000 hours (100%)

