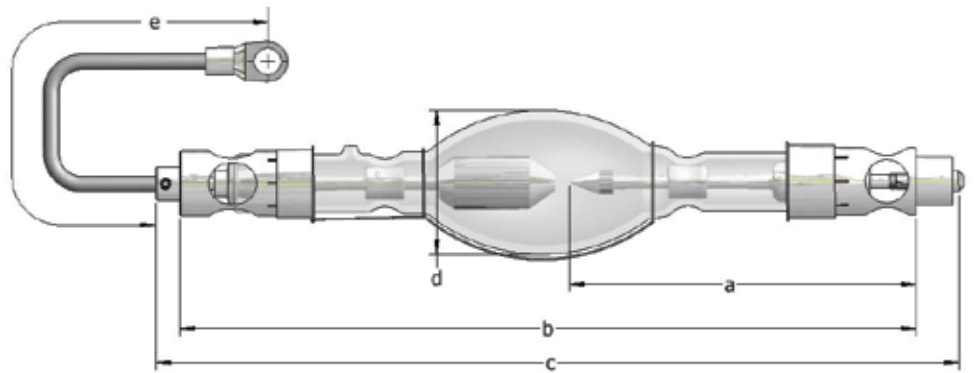


XDC-4002N

Digital Cinema Xenon Lamp



APPLICATIONS

Barco NC1600C, NC2000C

TECHNICAL SPECIFICATIONS

| | | |
|--------------------------------|-------|-----------|
| Rated Power | W | 4000 |
| Rated Current | A | 120 |
| Operating Current Range | A | 95-125 |
| Rated Voltage | V | 33 (+/-3) |
| Distance a | mm | 144 |
| Length b | mm | 306 |
| Length c (max) | mm | 336 |
| Cold arc gap | mm | 6.1 |
| Bulb Diameter d | mm | 60 |
| Anode (+) Base Diameter | mm | 27 |
| Anode Pin Diameter | mm | 14 |
| Cathode (-) Base Diameter | mm | 28 |
| Cathode Pin Diameter | mm | 20 |
| Cable Length e | mm | 160 |
| Horizontal Operating Position | deg | ±15 |
| Min. Cooling Air Flow Velocity | m/sec | 7 |
| Base Surface Temperature (max) | deg C | 200 |

WARRANTY: 1000 hours (100%)

