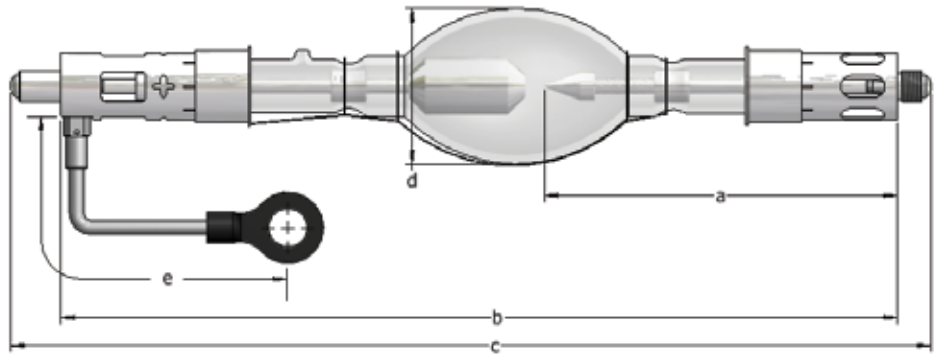


XDC-1900C

Digital Cinema Xenon Lamp



APPLICATIONS

Christie CP2208, CP2308

TECHNICAL SPECIFICATIONS

Rated Power	W	1900
Rated Current	A	72
Operating Current Range	A	45-80
Rated Voltage	V	27
Distance a	mm	115.5
Length b	mm	238.5
Length c (max)	mm	260.6
Cold arc gap	mm	3.5
Bulb Diameter d	mm	43
Anode (+) Base Diameter	mm	N/A
Anode Pin Diameter	mm	N/A
Cathode (-) Base Diameter	mm	30
Cathode Pin Diameter	mm	M10 X 1.50
Cable Length e	mm	150
Horizontal Operating Position	deg	± 5
Min. Cooling Air Flow Velocity	m/sec	4.5
Base Surface Temperature (max)	deg C	200

WARRANTY: 350 hours (100%)

